



**Features :**

- 7" & 10" Touch Screen
- Ethernet / Serial Communication
- User Management
- Recipe Management
- Data Logging Functionality
- Update Program by USB Flash
- Multiple Communication Protocols
- In-Built Symbol Library

**Display Specifications**

Type	7" & 10" Touch Screen (65536 colors)
Resolution	800 x 480 Pixels for 7", 1024 x 600 Pixels for 10"
Display Size	7" & 10" Diagonal
Backlight	LED

**Front Panel**

Touch Screen	Resistive
--------------	-----------

**Functional Specifications**

Programming Method	Windows based software for HMI configuration.
Memory	128MB Flash + 64MB DRAM
Data logging	Yes
Recipes	Yes
Alarms	Yes
Password	Yes
Hardware RTC	Yes
Ingress Protection	IP65

**Mechanical Specifications**

Dimensions (W x H x D) mm	203 x 149 x 32mm for 7" & 273 x 193 x 32 for 10"
Panel Cutout (W x H) mm	192 x 138mm
Mounting	Panel mounting
Weight	720 gms

**Environmental Conditions**

Temperature	Operating : 0 to 50°C Storage : -20 to 60°C
Humidity	95% RH

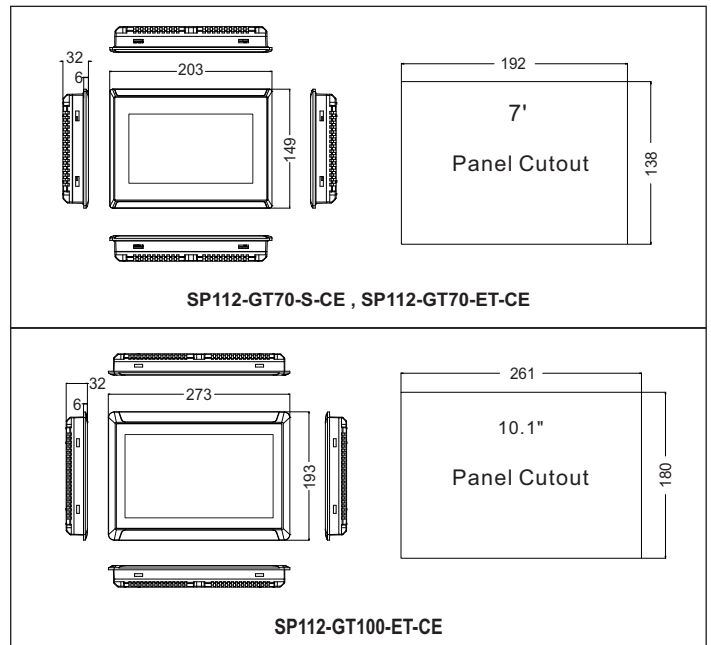
**Communication**

Serial	COM1	: RS485
	COM2	: RS232
Ethernet	ETH PORT	: 10M / 100M Self Adaptation
USB	USB Port	: USB 2:0

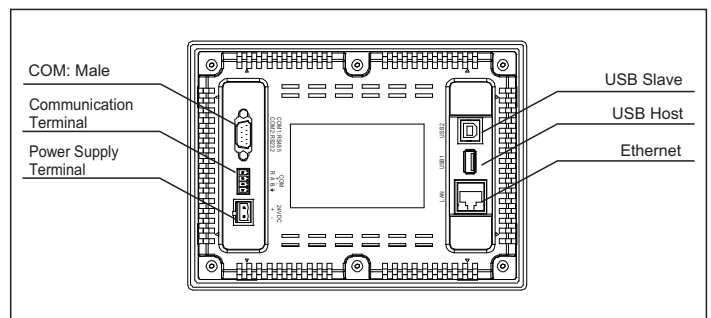
**Ratings**

Power Supply Voltage	24V DC
----------------------	--------

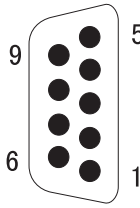
**Dimension** (All Dimensions are in mm)



**External Ports**



COM

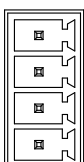


Interface	PIN	PIN Definition
COM2	1	—
	2	RS232 RXD
	3	RS232 TXD
	4	—
	5	GND
COM1	6	—
	7	RS485+(A)
	8	RS485-(B)
	9	—


**Caution:**  
In RS485 communication, out of Serial Port & Communication Terminal, only one can be chosen. Two of them can't be used at the same time.

Terminal

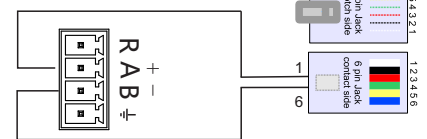
Communication Terminal is a 4 pin removable terminal, which supports RS485 communication. A built-in 120 ohm resistance is used for longer distance communication (more than 300-meters), user can manually short Pin 1 & Pin 2 to suppress communication interference.




Port	PIN	Pin Definition	Remarks
COM1	1	R	120Ω Terminal resistance
	2	RS485 + (A)	
	3	RS485 - (B)	
	4	PE	Shield ground



HMI



RS485, Terminal connection



Flexys Rail      DIGIX-B

Ethernet

Self- adapted Ethernet Port on the back of the SP112. 10M / 100M

Connection	Standard Ethernet Port Connection (RJ45 Direct Connection Cable / RJ45 Cross Wire)
Terminal Function	Communicates with PLC, PC by Ethernet Port Multiple HMI Online

Remarks: **Default IP is 192.168.1.100**

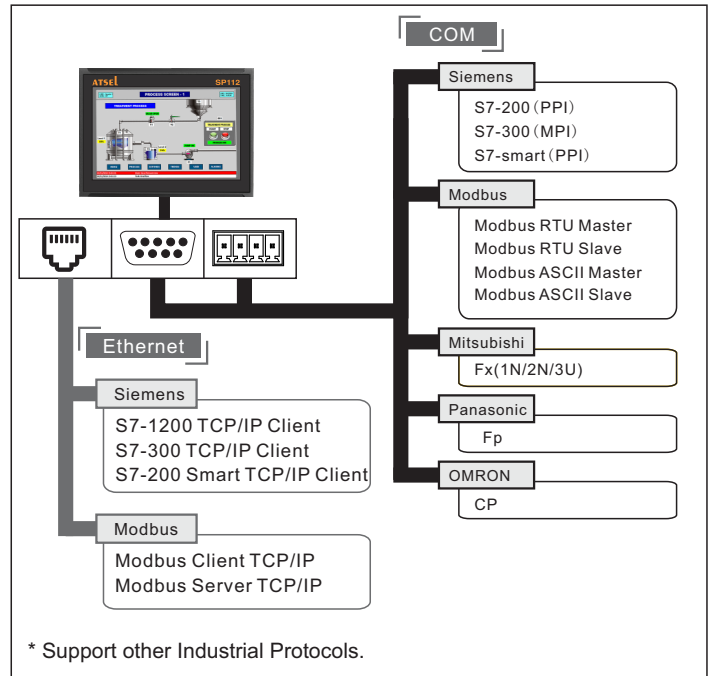
USB Host Port

Connection	Insert USB Disk
Terminal Function	Firmware Update, Firmware Configuration and Date Download

USB Host Port

Connection	Common USB Cable to Connect with PLC
Terminal Function	Upload and Download the User Configuration Program

Device Interfacing



Ordering Information

Product Code	Description
SP112-GT100-ET-CE	10" Touch screen HMI with Ethernet & Serial Ports
SP112-GT70-ET-CE	7" Touch screen HMI with Ethernet & Serial Ports
SP112-GT70-S-CE	7" Touch screen HMI with Serial Ports